



CORTEX

VHF | AIS | MONITOR

HUB INSTALLATION GUIDE

Contents

Introduction	3	Vesper Marine External Speaker	17	Dimensions LED icon troubleshooting.....	37
Questions and FAQs.....	3	External Loudspeaker	18	Warnings	39
Register Your Cortex.....	3	Connecting devices to an Cortex Hub.....	19	Warranty.....	41
Required components	4	To connect a mobile device.....	19		
Required components	4	To connect a handset	20		
Optional accessories	4	Device connection FAQs	20		
Onboard App Introduction	5	MMSI programming Introduction.....	21		
The Cortex network.....	6	MMSI Programming Warning	21		
LED indicator panel	7	To program an MMSI with the Onboard App.....	21		
Cortex Hub port locations.....	7	To program an MMSI with a handset.....	22		
Cortex Hub positioning.....	8	To confirm AIS operation	22		
Cortex Hub mounting	8	Monitoring and control.....	23		
To connect power.....	9	Cortex Monitor App Introduction.....	23		
Wiring color codes	9	To program GPIO sensors with the Cortex Onboard App	24		
AIS / VHF Antenna	10	To program GPIO sensors with a Cortex Handset.....	24		
What does VSWR mean?.....	10	Heading Sensor	25		
Internal AIS / VHF splitter	11	To update Cortex Hub firmware.....	25		
AIS / VHF Antenna connection	11	Cortex Hub Wiring color codes.....	26		
External GPS Antenna.....	11	GPIO sensor wiring - Alarm silence switch.....	27		
External GPS Antenna mounting.....	12	GPIO sensor wiring - Lighting remote control.....	28		
External WiFi Antenna	12	GPIO sensor wiring - Motion sensor	29		
External WiFi Antenna installation	13	GPIO sensor wiring - High water sensor	30		
NMEA 2000 Gateway.....	13	GPIO sensor wiring - Bilge pump activation sensor	31		
To connect to NMEA 2000.....	14	GPIO sensor wiring - Hatch / door open sensor.....	32		
To connect to NMEA 0183.....	15	GPIO sensor wiring - Smoke / Heat sensor.....	33		
External Cellular Antenna.....	16	Dimensions.....	34		
External Speaker	17	Specifications.....	35		

Introduction

THE VESPER MARINE CORTEX HUB IS AN AIS CLASS-B SO-TDMA TRANSPONDER WITH INTEGRATED ON BOARD AND REMOTE VESSEL MONITORING AND CONTROL.

When paired with a Vesper Marine Cortex H1 Tethered or Cortex H1P Portable handset, the Cortex Hub becomes a fully-featured 25W VHF radio with complete Class D DSC functionality.

The Cortex Hub features integrated WiFi providing configuration and control via a Cortex Onboard App or Cortex Handset.

Cortex Hub uses two dedicated AIS channels to transmit and receive vessel position and other data to and from all other AIS equipped vessels within range.

Cortex Hub uses received AIS data by sharing it with other devices on board your vessel (e.g. chart plotters, laptops, phones) over NMEA 2000, NMEA 0183 and WiFi.

With an integrated AIS/VHF splitter, the Cortex Hub allows an existing or secondary VHF radio to share a single VHF Antenna.

The Cortex Hub also features an integrated GNSS receiver (supporting GPS, GLONASS, BeiDou, Galileo), fully isolated NMEA ports and a high-power external speaker driver. Internal antennas for cellular and WiFi are included with the option to attach external antennas as required.

Off-boat vessel monitoring and control is supported via a built-in cellular modem and the Cortex Monitor App on your phone.

Integrated sensors provide vessel position, battery voltage, heading and barometric pressure, while NMEA 2000 or NMEA 0183 provides information from sensors connected to the NMEA network.

Optional external sensors can be installed and connected to the Cortex Hub to monitor information such as bilge level, shore power and vessel security. Optional output relays can be installed to remotely control lighting, air conditioning, refrigeration, bilge pump, battery charging and more.

Questions & Support

Visit support.vespermarine.com for a range of guide topics about how to get the most out of you Cortex.

Register Your Cortex

Vesper Marine releases product updates from time to time. These updates feature changes to Cortex including the release of new features. Register your Cortex at www.vespermarine.com/register

Append your Cortex Wifi Label here

We suggest placing one of your Cortex Wifi Labels here in the manual. It is also helpful to have one stuck descretely near the Cortex Hub. Having the QR Code and Wifi details easily accessible makes pairing additional devices quick and simple.

The Wifi SSID and Password cannot be changed.



Required components

Included

- Cortex Hub (Cortex Hub)
- GPS Antenna, Includes 10M (33ft) cable.
- Power cable
- WiFi antenna
- Audio cable
- Input / Output cable
- VHF Patch Cable

Required components

Not included

- AIS/VHF antenna
- Fuse or circuit breaker
- Fastenings of your choice
- Mobile device running the Cortex Onboard App or a Cortex Handset for configuring.

Optional accessories

- Cortex H1 or H1P handset(s)
- External audio and loudspeaker
- External cellular antenna
- NMEA 2000 cable
- NMEA 2000 Tee connector
- NMEA 2000 network extension cable
- External sensors for Monitoring and Control



Onboard App Introduction

Cortex Onboard is a free Android and Apple iOS app that connects your phone or tablet to the WiFi of the Cortex Hub.

Use the Cortex Onboard App to configure, manage and display data from Cortex. The Configuration Menu is used for initial configuration, AIS programming, network settings, firmware updates and input / output sensor setup.

Once the Cortex is configured, the Cortex Onboard App acts like a Cortex Handset offering access to most functions directly from your smart device.

Cortex Onboard App Main Menu options

Select the Main Menu icon (☰)

Plotter

Plotter view of AIS targets

Directory

AIS targets and manual DSC contacts

Instruments

GPS, integrated sensors and NMEA data

Anchor watch

Monitor the vessel at anchor

Collision avoidance

Manage a potential collision scenario

MOB

Man Overboard monitoring

Settings

Configure and manage the Cortex Hub



Plotter



Directory



Instruments



Anchor watch



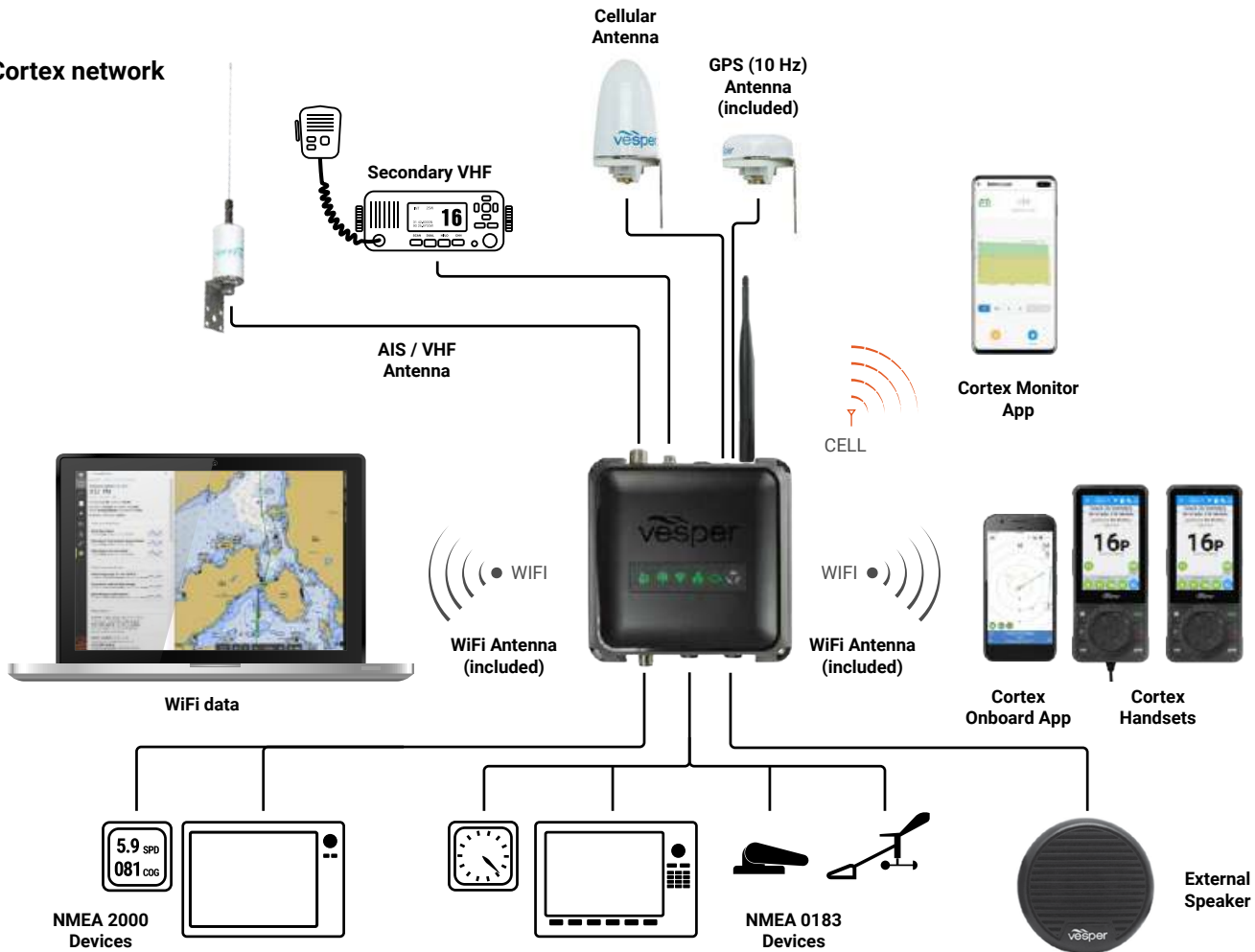
Collision avoidance



MOB



The Cortex network



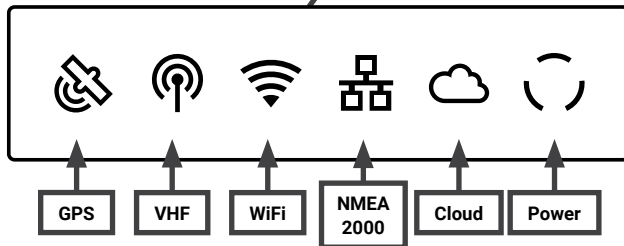
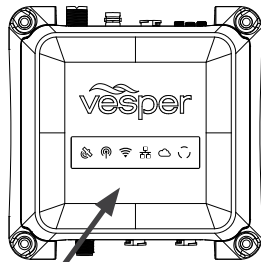
LED indicator panel

The Cortex Hub features an indicator panel located on the top of the case. The LED indicator panel provides system status using changes in color or solid and flashing states to indicate how a subsystem is functioning.

GPS, VHF, WiFi, NMEA 2000, Cellular (Cloud) and Power are all indicated. Green will indicate a functioning subsystem, with Orange and Red indicating a connection, configuration or other issue that may need to be resolved.

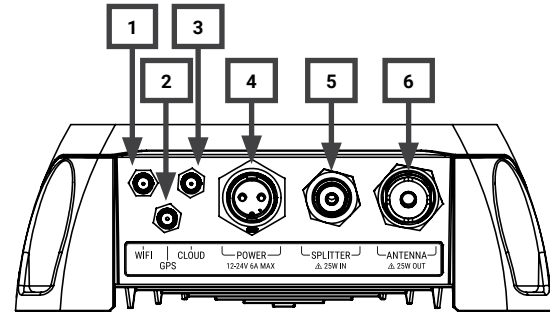
Power ON is indicated with white light.

See **LED indicator panel on page 22** for a full troubleshooting list.

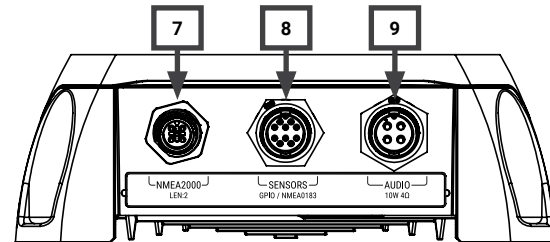


Cortex Hub port locations

1. WiFi Antenna port
2. GPS Antenna port
3. Cellular Antenna port
4. DC Power Supply (12V or 24V DC)
5. Auxiliary VHF port
6. VHF Antenna



7. NMEA 2000 port
8. Input / Output port (NMEA 0183 and GPIO sensors)
9. Audio Port (External Speaker, Loudspeaker)



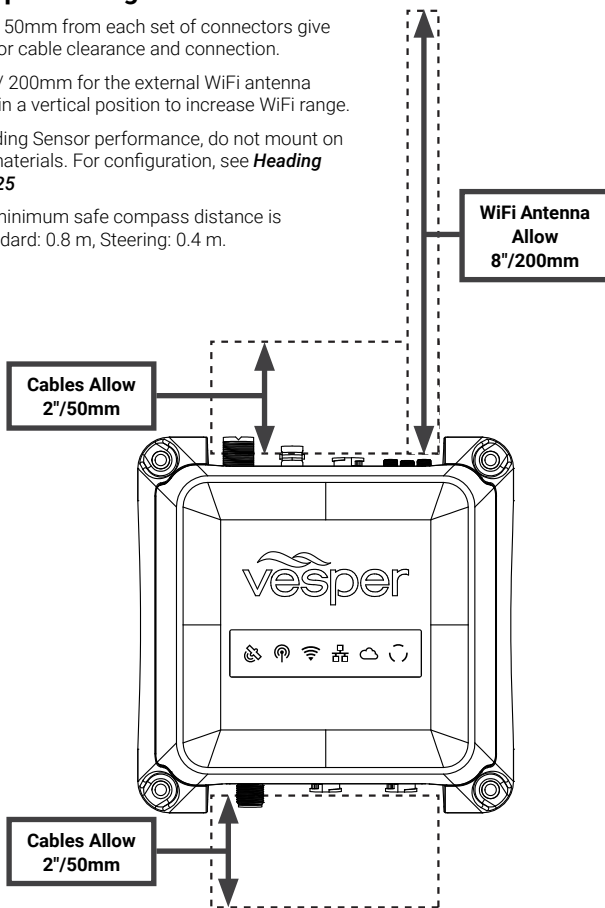
Cortex Hub positioning

Allow at least 2" / 50mm from each set of connectors give sufficient room for cable clearance and connection.

Allow at least 8" / 200mm for the external WiFi antenna to be positioned in a vertical position to increase WiFi range.

For optimal Heading Sensor performance, do not mount on or near ferrous materials. For configuration, see **Heading Sensor on page 25**

Ensure that the minimum safe compass distance is maintained. Standard: 0.8 m, Steering: 0.4 m.

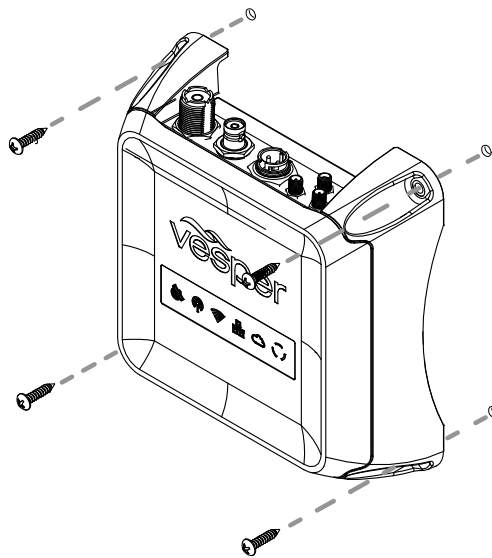


Cortex Hub mounting

1. Use the Cortex Hub as a template for mounting holes
2. Mark the holes on the mounting surface and drill them
3. Align the Cortex Hub to the mounting holes and secure with fastenings of your choice (not included).

Recommended screws: 316 Stainless Self Tapping 8G/1" (4.2/25.4mm) or 10G/1" (4.8/25.4mm) Pan/Round Head.

The Cortex Hub features metal anti-compression rings in each mounting hole to prevent damage and ensure the Cortex Hub can be mounted securely.



To connect power

Cortex DC power requirements:

Hub Nominal Draw	0.5A @ 12V
Hub VHF High Power Transmit (Max)	6.0A @ 12V
Handset Nominal	1.0A @ 12V

To provide sufficient power, consider the total system requirements in terms of adequate cable gauge and fuse rating with capacity for future expansion.

1. Check that the VHF antenna is connected before connecting to live DC power.
2. Connect the positive (+ve red) and negative (-ve black) leads of the power cable to the vessel. The 2M (6.5ft) power cable (supplied) is terminated with a 2 pin socket. This cable may be extended or shortened as needed.
3. Connect a fuse or circuit breaker to the positive cable of the appropriate rating for the system. (ie 10A for the Cortex Hub, 2A for each handset)
4. Connect the power cable to the Cortex Hub. Tighten the power cable lock ring clockwise to ensure a secure connection and watertight seal.
5. Turn the vessel's batteries (and/or switch or circuit breaker) on to apply power to the Cortex Hub.
6. Confirm the Cortex Hub is powered on with a visual check on the Cortex Hub indicator lights.

24 Hour Circuit

Leaving Cortex powered on a 24 hour circuit will ensure Cortex can continue to monitor and alert you. A 24 hour circuit remains powered even when the normal DC house system is powered off. Cortex Hub has a low Nominal draw of 0.5A @ 12V which most vessel house systems can sustain for an extended period of time.

Wiring color codes

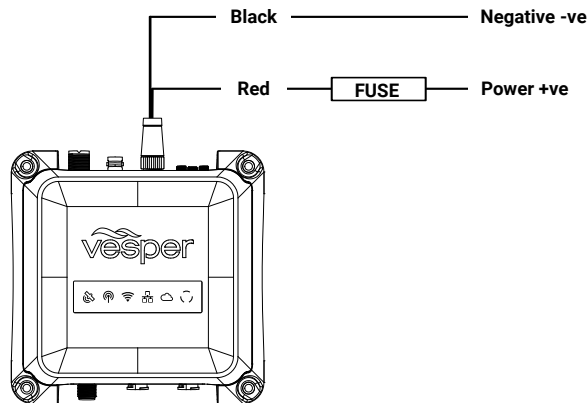
RED DC positive (+ve) (12/24 volts).

BLACK DC negative (-ve)

Always use a fuse or circuit breaker installed near the battery end or bus bar end.

Do not connect directly to a battery.

If you must extend the power connections use quality tinned marine grade wire at least 16 AWG (1.5mm²).



AIS / VHF Antenna

Required

The Cortex Hub shares one antenna for both AIS and VHF functions. A dedicated VHF antenna is required.

Choose a high quality omni-directional VHF antenna designed for the marine band (156-162MHz) and ensure it is well tuned at the AIS end of the band (VSWR 2:1 or less at 162MHz).

See Part Number 010-13266-00 VA159 (AIS/VHF Antenna).

Mount the antenna vertically, as high as possible (at least 2-3 meters (6-10 ft) above the waterline). It is not recommended to place the VHF antenna near a mast or other metal structures

Install the antenna a minimum of 3m (10ft) from any other VHF or HF antennas and not within the beam path of a radar. Inadequate separation may damage the Cortex transponder and void your warranty.

Never operate the Cortex Hub unless it is connected directly to a suitable VHF antenna.

The VHF indicator light will display red when a problem is detected with the antenna system (ie, the VSWR is above the acceptable level).

What does VSWR mean?

VSWR stands for Voltage Standing Wave Ratio and is a measure of the how well matched a transmission line (e.g. the antenna cable connected to the VHF output of your the Cortex Hub) is to its termination impedance (e.g. your antenna).

VSWR can be thought of as a comparative measure of how much power, generated from your Cortex Hub AIS transponder, is delivered to the antenna and how much of it is reflected back and lost in the poorly matched transmission line.

A high VSWR will reduce your effective transmission range and may also lead to other problems.

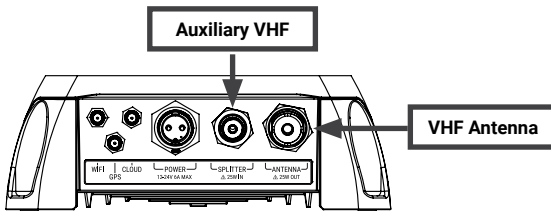
Internal AIS / VHF splitter

The Cortex Hub incorporates an AIS/VHF splitter to share one AIS/VHF antenna and to allow connection to an external VHF radio via the auxiliary port.

The auxiliary port protects the transponder while an external VHF is transmitting (up to 25W) and also isolates the external VHF radio when the Cortex Hub is transmitting.

The auxiliary port will still provide a path to the antenna for the external VHF radio in the event of an Cortex Hub power failure.

AIS / VHF Antenna connection



- Connect the AIS/VHF Antenna plug (PL259) to the Cortex Hub port labeled ANTENNA.
- Hand tighten clockwise. Do not over torque.
- (If applicable) Connect the auxiliary VHF antenna cable (BNC) to the auxiliary VHF port labeled SPLITTER.

External GPS Antenna

Required

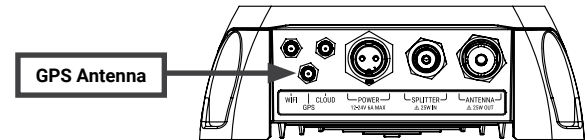
Consider the following location and connection requirements:

- The GPS antenna should be positioned with an unobstructed view of the sky.
- The GPS antenna is rated IP67 and UV stable for external installation.
- Do not place the GPS antenna near or in the path of radar, HF and/or high power satellite communication (such as Iridium Go) antennas.
- You cannot use another GPS or any other NMEA device to provide a GPS position to the Cortex Hub. Class B AIS SO-TDMA transponders are required by international regulations to use their own GPS.
- You may use the Cortex Hub to share GPS position data to other devices over NMEA 2000, 0183 or WiFi.
- The antenna cable is terminated with an SMA connector to facilitate easy routing through holes and openings. Do not cut the cable without the correct tools to crimp on a new connector.

Use the GPS Status screen in the Onboard App or handset to view the satellite signal strengths and determine the best location for mounting the external GPS antenna.

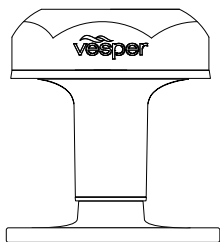
The Vesper Marine GPS antenna is specifically designed for use with Vesper Marine devices. Use of a different GPS antenna may damage the Cortex Hub and void the warranty.

- After installing the GPS Antenna, connect the SMA connector of the GPS Antenna cable to the Cortex Hub port labeled GPS.
- Hand tighten clockwise. Do not over torque.

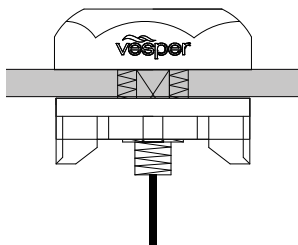


External GPS Antenna mounting

Deck mount on base

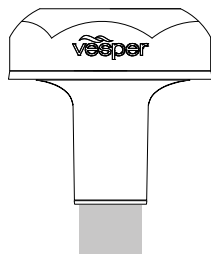


Deck mount flush

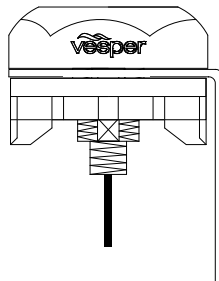


POLE MOUNT

1" 14 UNS threaded mast



Vertical surface mount



External WiFi Antenna

Recommended

Consider these WiFi requirements when choosing a position:

- Allow enough clearance space when installing the Cortex Hub for the External WiFi Antenna to be positioned in a vertical position to increase WiFi range.
- Do not place the External WiFi Antenna near or in the path of radar, HF and/or high power satellite communication (such as Iridium Go) antennas.
- Consider the distance between the handset and Cortex Hub onboard. Some objects and materials such as steel, aluminum and carbon composites may provide interference to degrade the WiFi signal strength.

External Wifi Antenna Configuration

CORTEX ONBOARD APP:

- > Menu (☰) > Settings
- > Device Settings > Networks > WiFi...
- > Use external antenna (select on/off)

CORTEX HANDSET:

- > Main Menu (☰). Touch on the wrench icon (🔧) to open the Configuration Menu.
- > Networks > WiFi...
- > External Antenna (select on/off)

WiFi signal strength is checked via the WiFi icon on the handset status bar or the WiFi signal on your device.

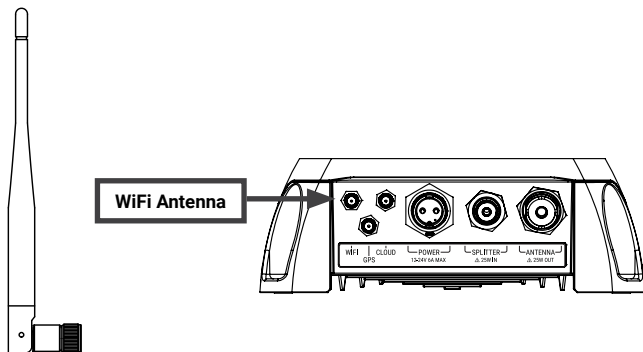
The Cortex Hub includes an internal WiFi antenna for installations where the external antenna is not required.

External WiFi Antenna installation

- Connect the WiFi Antenna to the Cortex Hub port labeled WiFi.
- Hand tighten clockwise. Do not over torque.
- Adjust the angle of the WiFi antenna to be as close to vertical as practical.

Install the WiFi Antenna last to allow sufficient room for fingers to first access and install the other SMA size connectors attached to the External GPS and optional cellular antenna for cloud connectivity.

Installations where an Cortex Hub is mounted in close proximity to an H1 (with little or no interference to the WiFi signal) may not require fitment of the External WiFi Antenna.



NMEA 2000 Gateway

The Cortex Hub incorporates an NMEA Gateway to allow different brands and generations of electronics on NMEA 0183 or 2000 networks to talk to each other automatically and transfer data without extra multiplexing devices or configuring.

The Gateway translates selected NMEA 2000 sensor data for compatibility with mobile apps. Monitor navigation data on your Cortex Onboard App on your phone or tablet or use it with third party apps of your choice.

Data is made available to NMEA 0183 and 2000 plotters. The Gateway supports a range of wind, depth, speed, heading, temperature, barometric pressure and autopilot PGNs.

See PGNs sent and received by the gateway (pg26).

Example Case #1:

Sailing and navigation apps cannot talk directly to an NMEA 2000 network as the apps use the 0183 protocol. We need to translate data from NMEA 2000 to 0183.

Gateway: The Cortex Hub receives NMEA 2000 PGNs and automatically converts these to 0183 sentences and sends to devices running the sailing and navigation apps via WiFi.

Example Case #2:

A vessel has an older chart plotter (NMEA 0183 only) with new NMEA 2000 sailing instruments.

Gateway: The Cortex Hub receives the new instrument data from the vessel's NMEA 2000 network and automatically converts the data to 0183 sentences for the chart plotter. The chart plotter 0183 wires are connected to the 0183 wires on the Cortex Hub's input/output cable.

To connect to NMEA 2000

The Cortex Hub can be connected to an NMEA 2000 network to enable AIS and Navigation data, including GPS to be sent to other NMEA 2000 devices.

- The NMEA sentences (PGNs) supported are listed on page 26.
- A NMEA 2000 drop cable and T connector are required to connect the Cortex Hub to a vessel's NMEA 2000 network.
- Modifying the Instance or System Identification can be done via the Cortex Onboard App or from the H1 handset.

Cortex Onboard App:

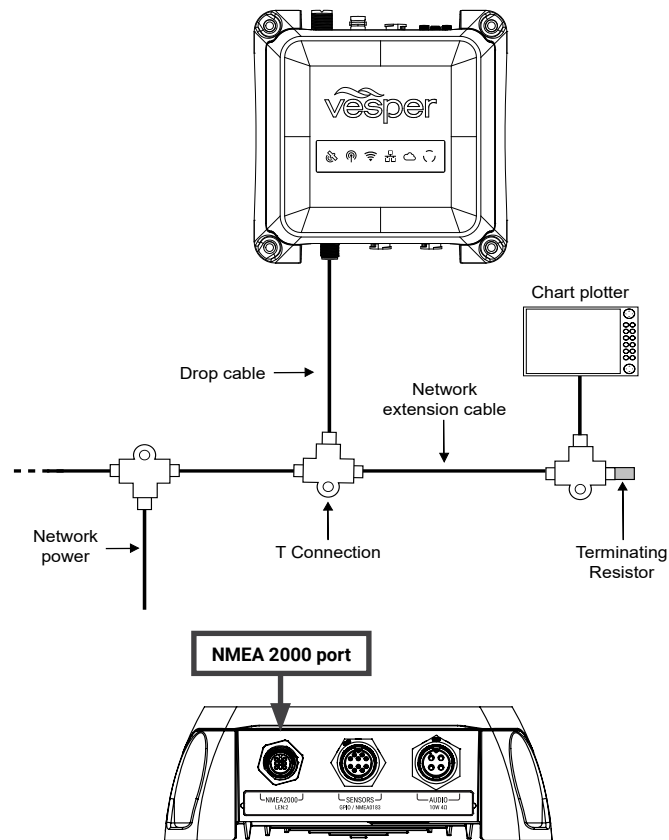
- > Menu (☰) > Settings > Device Settings > Networks
- > NMEA 2000...
- > Device Instance (0-255) (select to enter value)
- > System Instance (0-255) (select to enter value)

Cortex handset:

- > Main Menu (☰). Touch on the wrench icon (🔧) to open the Configuration Menu.
- > Networks
- > N2000 (NMEA 2000)
- > Device Instance
- > System Instance

To change the Device or System instance select the field and use the touchscreen menu to key a number between 0-255

NMEA 2000 network connection example



To connect to NMEA 0183

NMEA 0183 devices can receive AIS data when connected to the Cortex Hub I/O (Sensors GPIO / NMEA 0183) expansion port.

- The NMEA sentences supported are included on page 26.

The NMEA Baud rate can be changed via the Cortex Onboard App or from the H1 handset.

Cortex Onboard App:

- > Menu (☰) > Settings > Device Settings
- > Networks > NMEA 0183... > Baud rate (select)

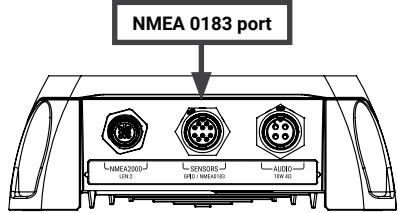
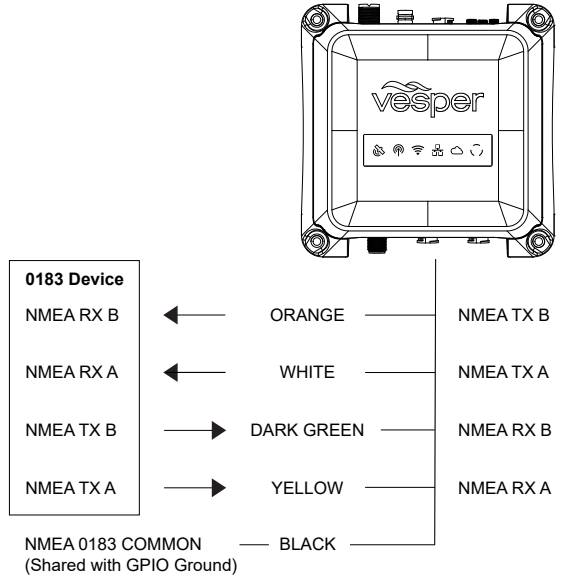
Cortex handset:

- > Main Menu (☰). Touch on the wrench icon (🔧) to open the Configuration Menu.
- > Networks
- > 0183 (NMEA 0183)
- > Baud In >
- > Baud out

AIS output requires a minimum of 38400 Baud rate.

When connecting the Cortex Hub to NMEA 0183 devices, connect 0183 Common (Black) to the vessel's negative bus. This is to ensure a satisfactory grounding as the NMEA 0183 network of the Cortex Hub is isolated.

NMEA 0183 network connection diagram



External Cellular Antenna

Optional

The Vesper Marine External Cellular Antenna may be connected for enhanced cellular coverage. Consider the following location and connection requirements:

- The external cellular antenna is rated IP67 and UV stable for external installation.
- Do not place the external cellular antenna near or in the path of radar, HF and/ or high power satellite communication (such as Iridium Go) antennas.
- The antenna cable is terminated with an SMA connector to facilitate easy routing through holes and openings. Do not cut the cable without the correct tools to crimp on a new connector.
- Do not extend the antenna cable beyond the supplied length of 5M (16').

A solid orange light on the LED indicator panel indicates an attempt to connect to a cell tower, green indicates connection. See **LED indicator panel on page 22**.

External Antenna Configuration

Cortex Onboard App:

- > Menu (☰) > Settings
- > Device Settings > Networks > Cloud...
- > Use external antenna (select on/off)

Cortex handset:

- > Main Menu (☰). Touch the wrench icon (🔧) to open the Configuration Menu.
- > Networks > Cloud
- > Use external antenna (select on/off)

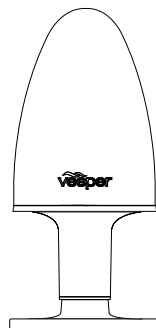
The Cortex Hub includes an internal Cellular antenna for installations where the external antenna is not required.

After installing the Cellular Antenna, connect the SMA connector of the Cellular Antenna cable to the Cortex Hub port labeled Cloud.

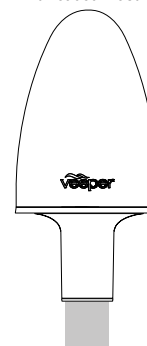
Tighten clockwise. Do not over torque.

External Cellular Antenna mounting

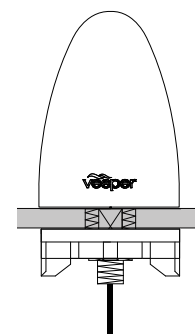
**Deck mount
on base**



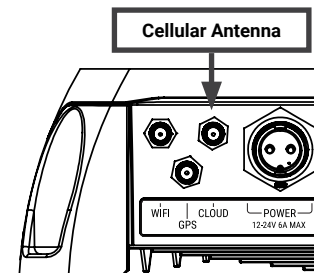
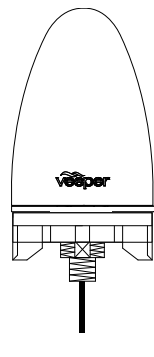
Pole mount
1" 14 UNS
threaded mast



**Deck mount
flush**



**Vertical
surface
mount**



External Speaker

The external audio speaker output extends the audio output of the Cortex Handsets directly from the Cortex Hub. The external audio speaker output will broadcast VHF (when a Cortex Handset is present) and system alarms. The external audio speaker output is perfect for Cortex Cortex Hub installations without a Handset, or where Cortex Handsets are powered down and you still wish to become alerted to alarm events on board.

Setting Audio Speaker Volume

Audio Speaker volume can be set at the desired volume using a Cortex Handset or the Cortex Onboard App.

The external speaker should be installed at least 1m (3ft) from any magnetic compass, flux gate sensor and the Cortex Hub.

It is recommended to use a 10W rated audio speaker with a 4-ohm impedance.

Audio Cable Wiring Code

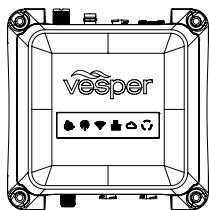
Orange - Audio Speaker Positive (+)

Black - Audio Speaker Negative (-)

Red - Loudspeaker Positive (+)

Brown - Loudspeaker Negative (-)

External Speaker Wiring Diagram



ORANGE — AUDIO SPEAKER (+)

BLACK — AUDIO SPEAKER (-)

RED — LOUDSPEAKER (+)

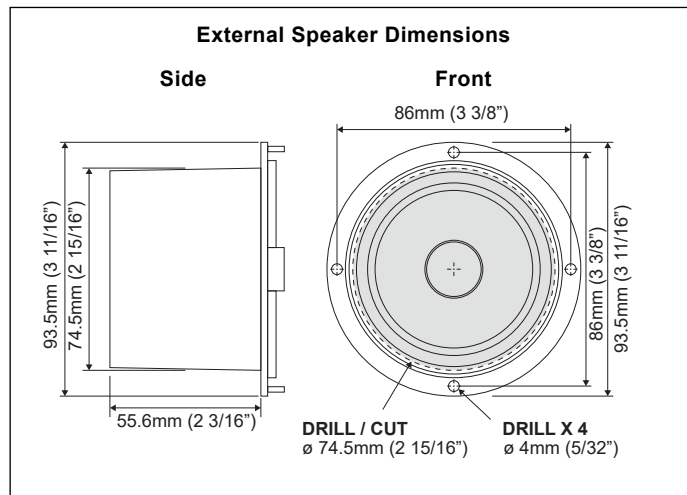
BROWN — LOUDSPEAKER (-)

Vesper Marine External Speaker

The Vesper Marine External Speaker (Part Number 010-13267-00) is purpose designed for the marine environment.

Featuring IP66 ingress protection this speaker is suitable for installing almost anywhere on board.

- 3" 70 Watt Speaker
- Frequency response of 80Hz-18kHz
- 4 ohm impedance
- IP66 water resistant for marine applications
- UV resistant polymer housing / Polypropylene cone
- Heavy duty molded ABS plastic basket and grill
- Pre-wired with 2m (6.5ft) of cable



External Loudspeaker

A loudspeaker can be connected to the Cortex Hub for use with Cortex Horn and Hailer functions. Loudspeaker Mode can be operated from a Cortex Handset (H1 Tethered or H1P Portable) or the Cortex Onboard App.

The Loudspeaker port can output up to 30W into a 4ohm load.

Setting Loudspeaker Volume

Loudspeaker volume will default to Mute. To set the desired volume, use a Cortex Handset or the Cortex Onboard App.

Setting Loudspeaker Tone

You can also set the pitch the horn will use between 200-500Hz from the Horn and Hailer settings.

Audio Cable Wiring Code

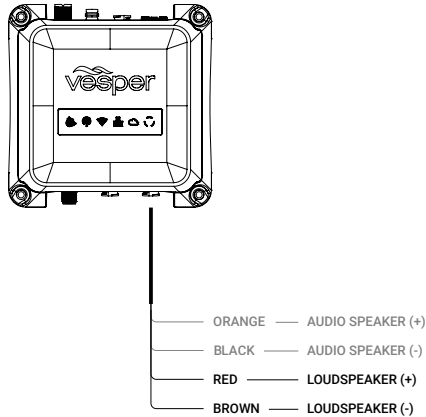
Orange - Audio Speaker Positive (+)

Black - Audio Speaker Negative (-)

Red - Loudspeaker Positive (+)

Brown - Loudspeaker Negative (-)

External Speaker Wiring Diagram



Connecting devices to an Cortex Hub

Once installation of the Cortex Hub, cables and antennas are complete, the Cortex Hub is configured using the Cortex On board App on a mobile device (iOS or Android) or via a Cortex H1 or H1P handset.

Prior to the configuration steps, a WiFi connection must be made between the Cortex Hub and the device used for configuration.

The Cortex Hub WiFi network will connect with up to 10 devices.

The Cortex V1 package (Cortex M1 + H1) ships with the handset pre-configured to the Cortex Hub.

See the Support Portal at vespermarine.com for connecting devices to use the NMEA 2000 data from an Cortex Hub over WiFi.

Connection information:

Connection Type = TCP
IP Address = 10.1.1.1
Port = 39150

To connect a mobile device

1. Turn Cortex Cortex Hub and device ON
Switch the vessel's batteries ON to power the Cortex Hub.
2. Select WiFi in the settings of the device
 - > From the list of available WiFi, identify and select the Cortex Hub WiFi SSID.
 - > Note - The WiFi SSID is identified by the Cortex Hub serial number eg: CORTEX-95211616
 - > Key the WiFi password found on the label supplied with the Cortex Hub. Alternatively scan the QR code of the Cortex Hub (found on the WiFi label) to be automatically connected.
 - > Join and save to connect.
 - > Close the WiFi setting on the device.

If the supplied label is lost, the WiFi password is found underneath the Cortex Hub on the serial label.



To connect a handset

1. Turn Cortex Hub ON
Switch the vessel's batteries ON to power the Cortex Hub.
2. Turn the handset ON
Press and hold the Power button for 2 seconds.



3. Select WiFi from the Status Bar
 - > From the list of available WiFi, identify and select the Cortex Hub WiFi SSID. The WiFi SSID is identified by the Cortex Hub serial number eg: CORTEX-95211616
The Cortex V1 package (Cortex Hub+H1) ships with the handset pre-configured to the Cortex Hub.
 - > Key the WiFi Password found on the label supplied with the Cortex Hub.
 - > Select CONNECT to save. Text 'connected' will confirm the connection.
 - > Select the Back key to close the WiFi status

Connecting additional handsets

To connect additional handsets to a configured Cortex Hub network follow the To connect a handset steps above.

Device connection FAQs

If the device (handset or mobile device) displays '**Trying to connect...**' for a long period, it has not made a WiFi connection to the Cortex Hub.

- Confirm the Cortex Hub is ON
- Check the WiFi signal strength on the mobile device or in the Status Bar of the handset.
- Check the Cortex Hub WiFi External Antenna is attached.
- Consider the distance between the device and Cortex Hub on board. Some objects and materials may provide interference to degrade the WiFi signal strength.
- See '**Connecting to an Cortex Hub**' (pg18). Follow the steps to identify and connect to the WiFi.

The WiFi status icon on the Cortex Hub will illuminate green when a handset or app makes a connection.

If the device displays '**No GPS connection!**' while beeping an alarm, touch the screen (or any key) to silence the alarm and close this notification.

The device will then display '**Waiting for GPS...**', the Cortex Hub has not acquired GPS position.

- Check GPS Status in the Status Bar of the handset (select GPS icon in the On board App).
- Check the Cortex Hub external GPS installation.
- Check the GPS icon on the Cortex Hub indicator panel.

MMSI programming Introduction

Before an Cortex Hub can transmit your position over AIS you must configure your vessel details and enter a valid MMSI number.

You can configure your MMSI using the Cortex Onboard App or a Cortex handset.

Your MMSI may have been entered by your dealer. You must have an assigned MMSI for your vessel.

If you do not have an assigned MMSI, contact the relevant authority in your country.

Once you save the MMSI number you cannot change it. If you need to change the MMSI, please contact an authorized dealer or Vesper Marine.

MMSI Programming Warning

For Customers in the USA: This device must be programmed with data corresponding to the vessel on which it will be installed.

Programming must be carried out by a Vesper Marine dealer. The included instructions contain information on how to verify the correct programming.

WARNING: It is a violation of the rules of the Federal Communications Commission to input an MMSI that has not been properly assigned to the end user, or to otherwise input any inaccurate data in this device.

To program an MMSI with the Onboard App

1. Download the Cortex Onboard App
Free download from the Apple or Google Play stores
2. Turn Cortex Cortex Hub and device ON
Switch the vessel's batteries ON to power the Cortex Hub
3. Connect the device to the Cortex Hub via WiFi
See Connecting to an Cortex Hub section
4. Open the app and program as follows;
 - > Select the Main Menu icon (☰) to open the Settings Menu.
 - > Device Settings...
 - > Vessel...
 - > Identification...
 - > MMSI (Enter MMSI number)
 - > Name (Enter the vessel's name)
 - > Callsign (Enter the vessel's callsign)
 - > ATIS ID* (Enter the vessel's ATIS ID)
*A vessel ID for inland waterways in some European countries.
 - > Vessel Type (Select from the list)

To program your vessel dimensions with the Onboard App

- > Select the Menu icon (☰) to open the Settings Menu.
- > Device Settings...
- > Vessel...
- > Dimensions
- > Length (Enter length overall)
- > Beam (Enter beam overall)
- > GPS from stern (Enter measurement)
- > GPS from starboard (Enter measurement)

To program an MMSI with a handset

1. Turn Cortex Cortex Hub and handset ON.
Switch the vessel's batteries ON to power the Cortex Hub
2. Connect the handset to the Cortex Hub via WiFi
See Connecting to an Cortex Hub section
3. Select the handset Main Menu and program as follows;
 - > Main Menu. (☰) Select the wrench icon (🔧) to open the Configuration Menu.
 - > Vessel
 - > Vessel Identification
 - > MMSI (Enter MMSI number)
 - > Name (Enter the vessel's name)
 - > Callsign (Enter the vessel's callsign)
 - > Vessel Type (Select from the list)

To program your vessel dimensions with a handset

- > Main Menu. (☰) Select the wrench icon (🔧) to open the Configuration Menu.
- > Vessel
- > Dimensions
- > Length (Enter length overall)
- > Beam (Enter beam overall)
- > GPS from stern (Enter measurement)
- > GPS from starboard (Enter measurement)

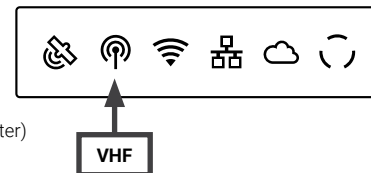
To confirm AIS operation

LED indicator panel

Green light indicates AIS data transmission

Handset

- > Main Menu. (☰) Select the wrench icon (🔧) to open the Configuration Menu.
- > Systems
- > AIS (View RX and TX data counter)

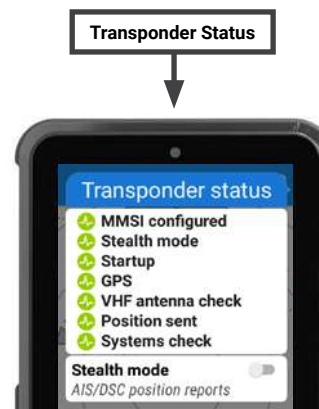


Onboard App

- > Main Menu (☰) to open the Settings Menu.
- > Device Settings > Systems...
- > AIS... (View RX and TX data counter)

Onboard App (or handset Status Bar pictured)

Transponder receive only mode (Stealth mode) is controlled (on/off) from within this menu.



Monitoring and control

Off-boat vessel monitoring and control is supported via a built-in cellular modem and the Cortex Monitor App on your phone.

Once the Cortex Hub is installed and operating, data from the Cortex Hub's integrated sensors, from external sensors wired into the GPIO port and data from an NMEA bus will be displayed and controlled on the Cortex Monitor App.

Cortex Hub integrated sensors

- GPS position
- System voltage
- Vessel heading (see page 25)
- Barometric pressure

Cortex Hub GPIO sensors and connections

The Cortex Hub can monitor up to three general purpose inputs and an additional two may be configured either as an input or output.

When connecting GPIO sensors to the Cortex Hub, a Pullup voltage connection is recommended.

Pullup voltage provides an active high/low voltage reference for the GPIO input when sensors do not provide sufficient voltage.

NMEA 2000 sensors

When the Cortex Hub is connected to an NMEA 2000 bus, data from applicable NMEA 2000 and 0183 devices will display on the handset and Onboard App Instruments screen, and on the Cortex Monitor App.

See *NMEA PGNs and Monitoring Instruments on page 26* for PGN sentences sent and received.

Cortex Monitor App Introduction

Cortex Monitor is a free Apple iOS and Android app that allows your phone to monitor and control the sensors of your Cortex Cortex Hub via a cellular connection.

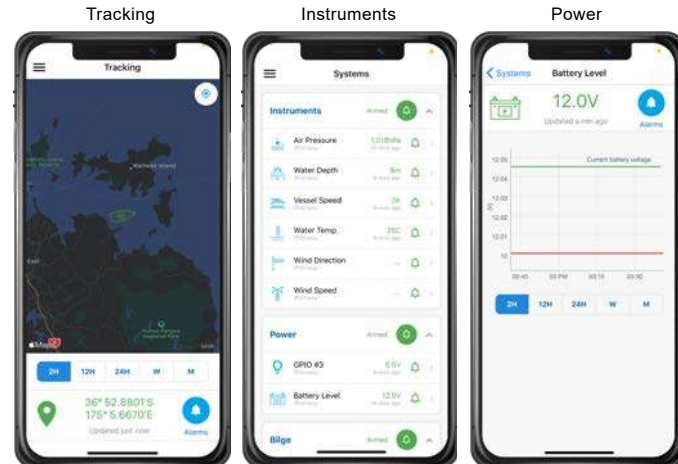
Cortex Monitor App

Monitor and control your boat when you are ashore provided your Cortex Hub and phone are within cellular coverage.

Use the Cortex Onboard App or a handset to configure and test GPIO sensors and relays.

After the inputs and outputs have been configured and tested, download the Cortex Monitor App onto your device.

Enter your login details and the Cortex Product Serial number or scan the QR code to activate monitoring for your Cortex Cortex Hub. Once activated it can take a few minutes for your Cortex Cortex Hub to connect for the first time. You can now view the status of Cortex Hub sensors on the Monitor app.



To program GPIO sensors with the Cortex Onboard App

Name and configure up to 5 general purpose sensors, 2 x input/output, 3 x input.

1. Download the Cortex Onboard App
Free download from the iOS or Google Play stores
2. Turn Cortex Cortex Hub and device ON
Switch the vessels batteries ON to power the Cortex Hub
3. Connect the device to the Cortex Hub via WiFi
See Connecting to an Cortex Hub section
4. Open the app and program as follows;
 - > Select the Main Menu icon (☰) to open the Settings Menu.
 - > Device Settings...
 - > Sensors...
 - > GPIO...
 - > Sensor / control name
 - > Sensor / control type (select from list)
 - > Default input high
 - > Pullup active (select Enabled or Disabled)
 - > Active when high (select Yes for Normally Closed, or select No for Normally Open)

An external Pullup voltage connection is recommended when connecting GPIO sensors to the Cortex Hub.

When a sensor does not provide more than 2V, the Pullup provides an appropriate high level reference for the Cortex Hub's input.

To program GPIO sensors with a Cortex Handset

Name and configure up to 5 general purpose sensors, 3 x input, 2 x input/output.

1. Turn Cortex Cortex Hub and handset ON
Switch the vessels batteries ON to power the Cortex Hub
2. Connect the handset to the Cortex Hub via WiFi
See Connecting to an Cortex Hub section
3. Select the handset Main Menu and program as follows;
 - > Main Menu. (☰) Select the wrench icon (🔧) to open the Configuration Menu.
 - > Sensors
 - > GPIO
 - > Sensor / control name
 - > Sensor / control type (select from list)
 - > Default input high
 - > Pullup active (select Enabled or Disabled)
 - > Active when high (select Yes for Normally Closed, or select No for Normally Open)

An external Pullup voltage connection is recommended when connecting GPIO sensors to the Cortex Hub.

When a sensor does not provide more than 2V, the Pullup provides an appropriate high level reference for the Cortex Hub's input.

Heading Sensor

The Cortex Hub includes an internal heading sensor to display an accurately orientated AIS icon of your vessel on another vessels AIS system. The heading sensor also determines the direction to the bow for Anchor Watch.

The heading sensor requires calibration that is performed from the Onboard App or a handset.

The Cortex Onboard App

1. Turn Cortex Cortex Hub and device ON
Switch the vessel's batteries ON to power the Cortex Hub
2. Connect the device to the Cortex Hub via WiFi
See Connecting to an Cortex Hub section
3. Open the app and program as follows;
 - > Select the Main Menu icon (☰) to open the Settings Menu.
 - > Device Settings...
 - > Sensors...
 - > Heading...

With a handset

1. Turn Cortex Cortex Hub and handset ON
Switch the vessel's batteries ON to power the Cortex Hub
2. Connect the handset to the Cortex Hub via WiFi
See Connecting to an Cortex Hub section
3. Select the handset Main Menu and program as follows;
 - > Main Menu. (☰) Select the wrench icon (🔧) to open the Configuration Menu.
 - > Sensors
 - > Heading

To update Cortex Hub firmware

Firmware updates for the Cortex Hub and H1/H1P handsets are bundled with Cortex Onboard App releases.

Check the Apple IOS App Store or Google Play Store for updates to Cortex Onboard, select UPDATE as required.

Once downloaded to your mobile device, connect it to the Cortex Hub WiFi on the vessel. The Cortex Hub will automatically recognize updated firmware. The Onboard App will ask if you would like to perform the firmware update. Select Yes to update.

NMEA PGNs and Monitoring Instruments

Received PGNs are translated and outputted over NMEA 0183 and WiFi.
See support.vespermarine.com for an up to date list.

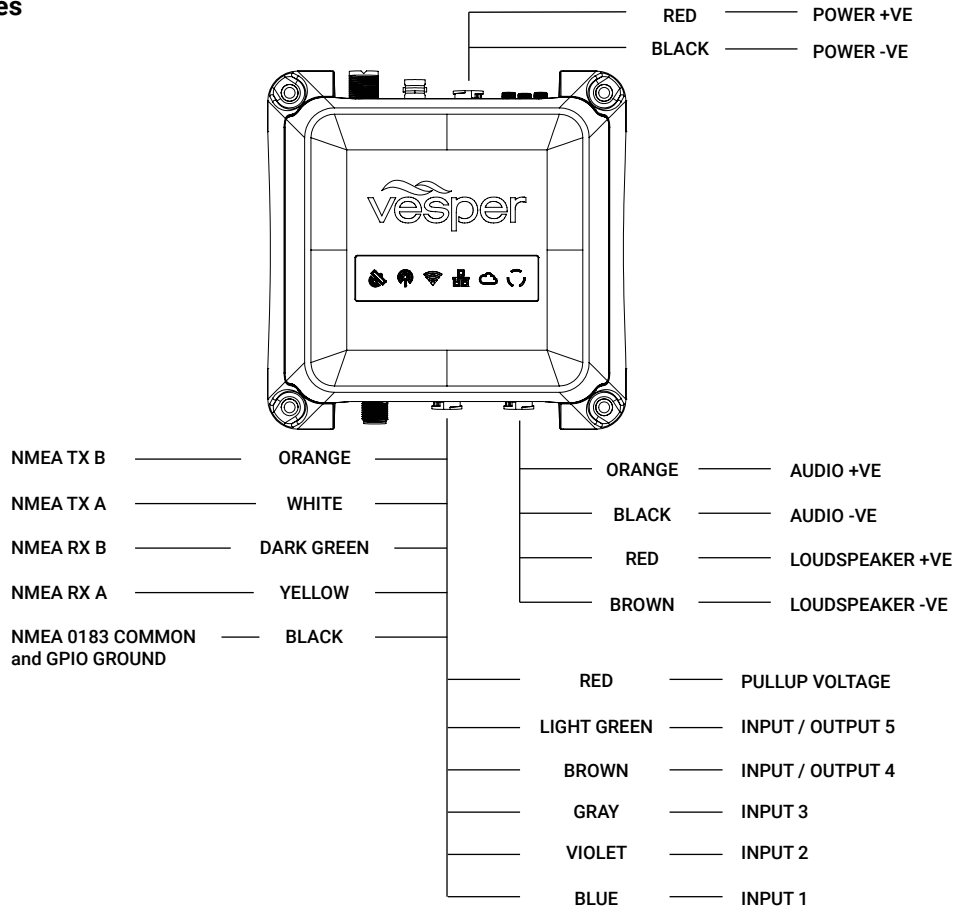
Received PGNs

PGN	DESCRIPTION	TRANSLATED TO 0183	INSTRUMENTS DATA SOURCE
127250	Vessel Heading	HDG	Yes
128259	Speed, water referenced	VHW	Yes
128267	Water depth	DPT	Yes
128275	Distance log	VLW	
129283	Cross track error	XTE	
129284	Navigation data	BOD APB RMB	
129285	Navigation, route/waypoint info	WPL RMB	
130306	Wind data	MWD MWV	Yes
130314	Air Pressure	XDR MDA	Yes
130310	Air Pressure + Water Temperature	XDR MDA MTW	Yes
130311	Air Pressure + Water Temperature	XDR MDA MTW	Yes
130312	Water Temperature	MTW	Yes
130313	Water Temperature	MTW	Yes

Sent PGNs

PGN	DESCRIPTION	TRANSLATED FROM
127233	Man Overboard	
127250	Vessel Heading	HDG
127258	Magnetic Variation	
127259	Speed, water Referenced	VHW
127267	Water depth	DBT DPT
129025	Position (Rapid)	
129026	COG & SOG (Rapid)	
129029	GNSS Position	
129038	Class A Position	
129039	AIS Class B position	
129040	AIS Class B position extended	
129041	AIS Aids to Navigation	
129539	GNSS DOP's	
129540	GNSS satellites in view	
129794	AIS Class A Static Voyage	
129798	AIS SAR Aircraft Position	
129801	AIS Addressed Safety	
129802	AIS Safety Related Broadcast	
129809	AIS Class B "CS" Static, Part A	
129810	AIS Class B "CS" Static, Part B	
130306	Wind data	MWD MWV

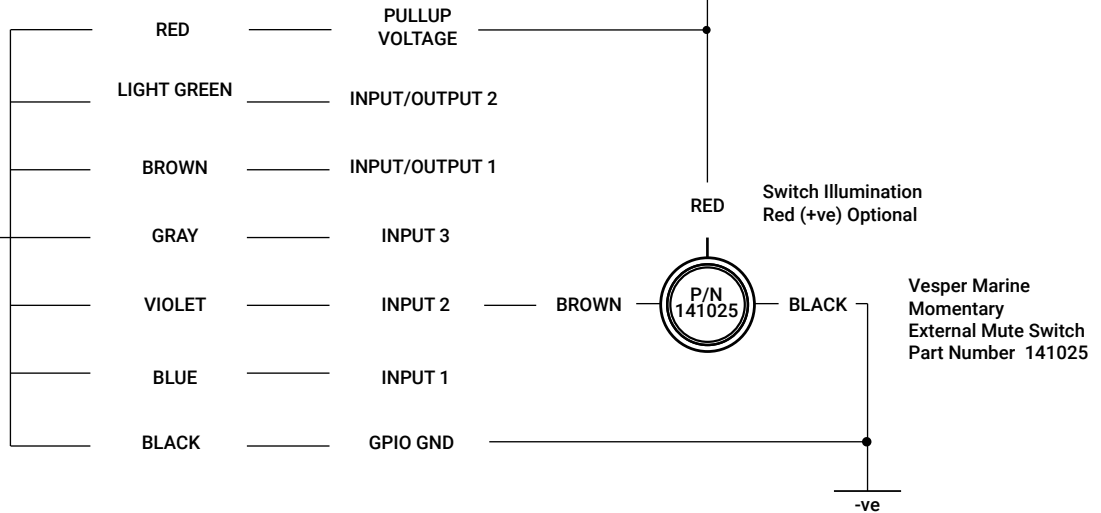
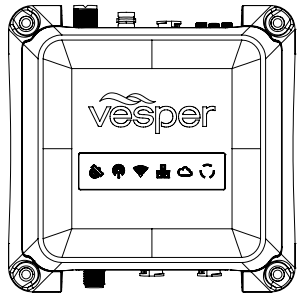
M1 Wiring color codes



GPIO sensor wiring - Alarm silence switch

An external Pullup voltage connection is recommended when connecting GPIO sensors to the Cortex Hub.

When a sensor does not provide more than 2V, the Pullup provides an appropriate high level reference for the Cortex Hub's input.



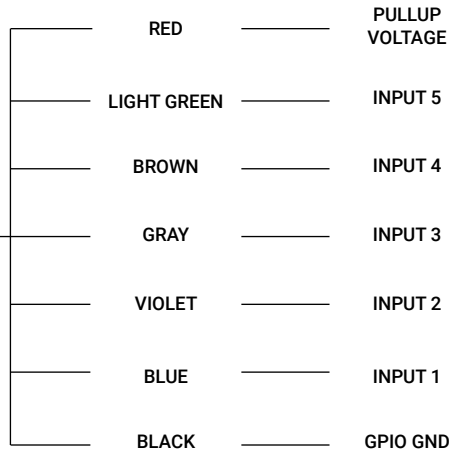
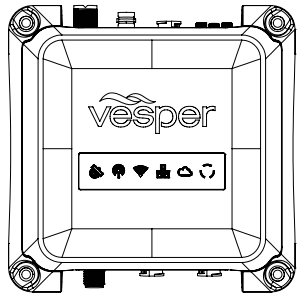
GPIO sensor configuration example

Sensor / control name	Silence
Sensor / control type	Alarm silence
Default input high	Pullup enabled
Active when high	No, normally open

GPIO sensor wiring - Lighting remote control

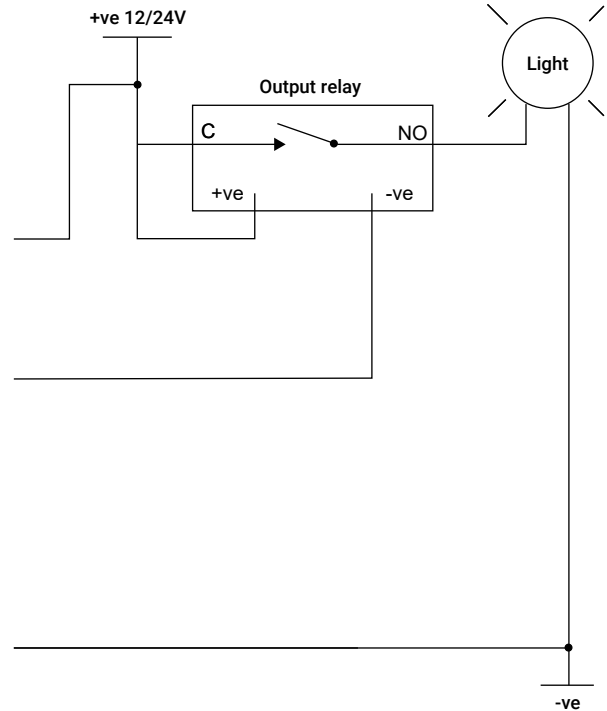
Lighting on/off remote control is one example of what an output relay may switch and control.

An external Pullup voltage connection is recommended when connecting GPIO sensors to the Cortex Hub. When a sensor does not provide more than 2V, the Pullup provides an appropriate high level reference for the Cortex Hub's input.



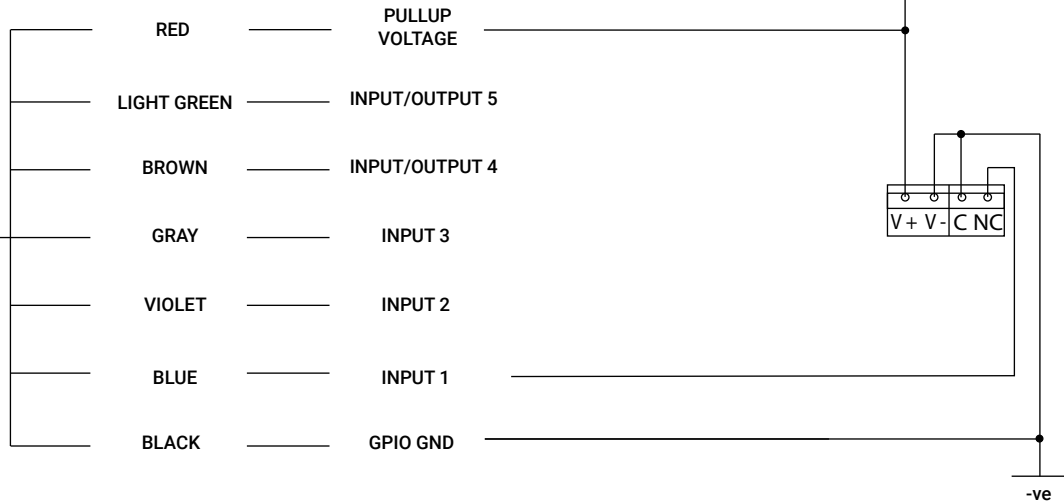
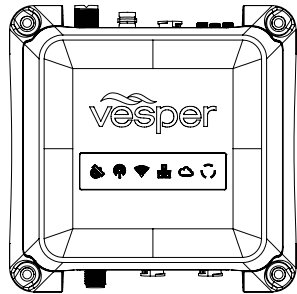
GPIO sensor configuration example

Sensor / control name	Anchor light
Sensor / control type	On/Off switch



GPIO sensor wiring - Motion sensor

An external Pullup voltage connection is recommended when connecting GPIO sensors to the Cortex Hub. When a sensor does not provide more than 2V, the Pullup provides an appropriate high level reference for the Cortex Hub's input.



GPIO sensor configuration example

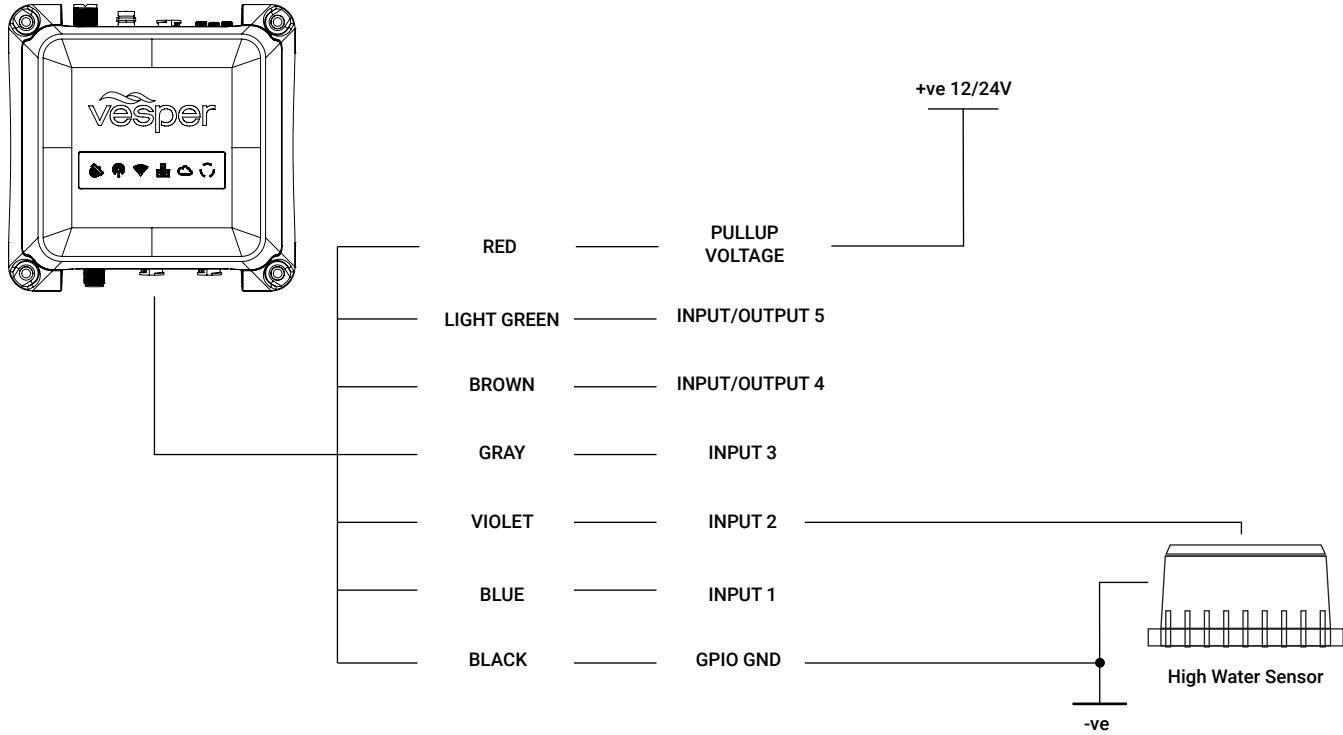
Sensor / control name	Cockpit Motion 1
Sensor / control type	Security sensor
Default input high	Pullup enabled
Active when high	Yes, normally closed

GPIO sensor wiring - High water sensor

An external Pullup voltage connection is recommended when connecting GPIO sensors to the Cortex Hub. When a sensor does not provide more than 2V, the Pullup provides an appropriate high level reference for the Cortex Hub's input.

GPIO sensor configuration example

Sensor / control name	Bilge high water
Sensor / control type	High water sensor
Default input high	Pullup enabled
Active when high	No, normally open

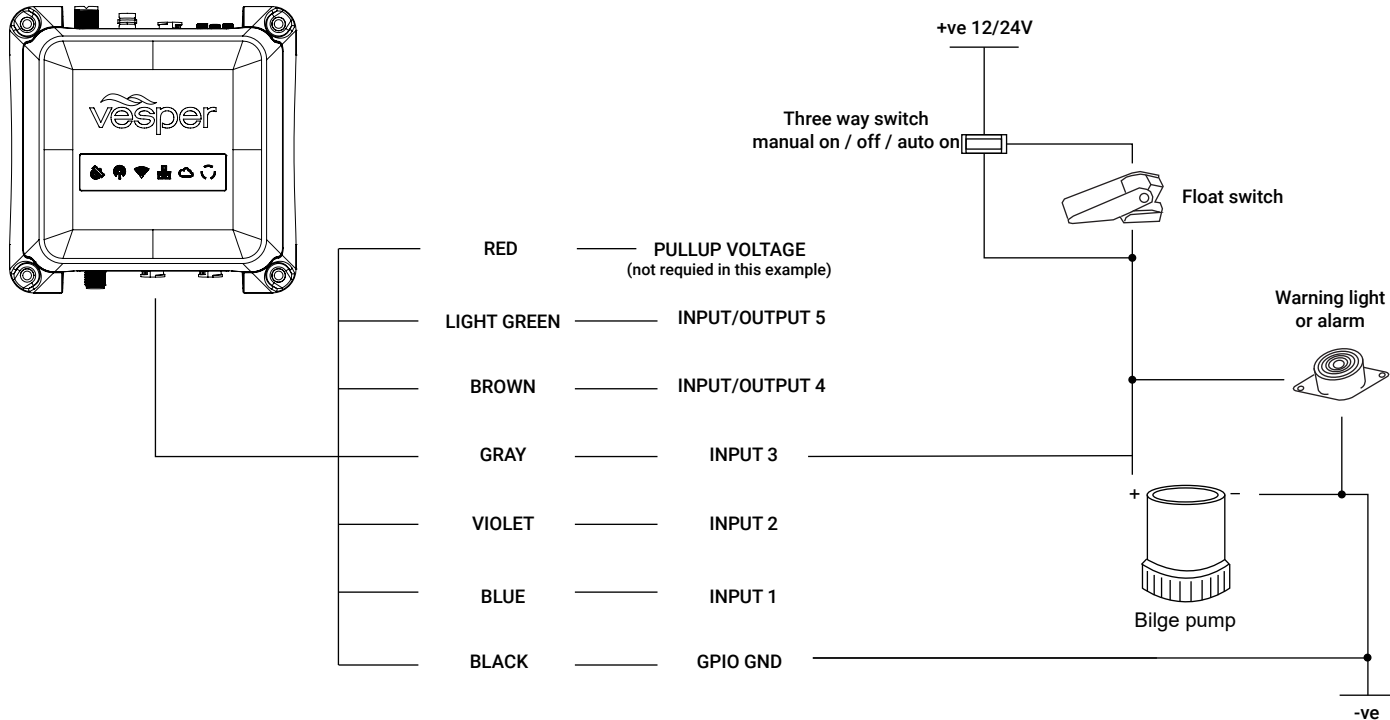


GPIO sensor wiring - Bilge pump activation sensor

A Pullup connection is not required in this example as it is driven high.

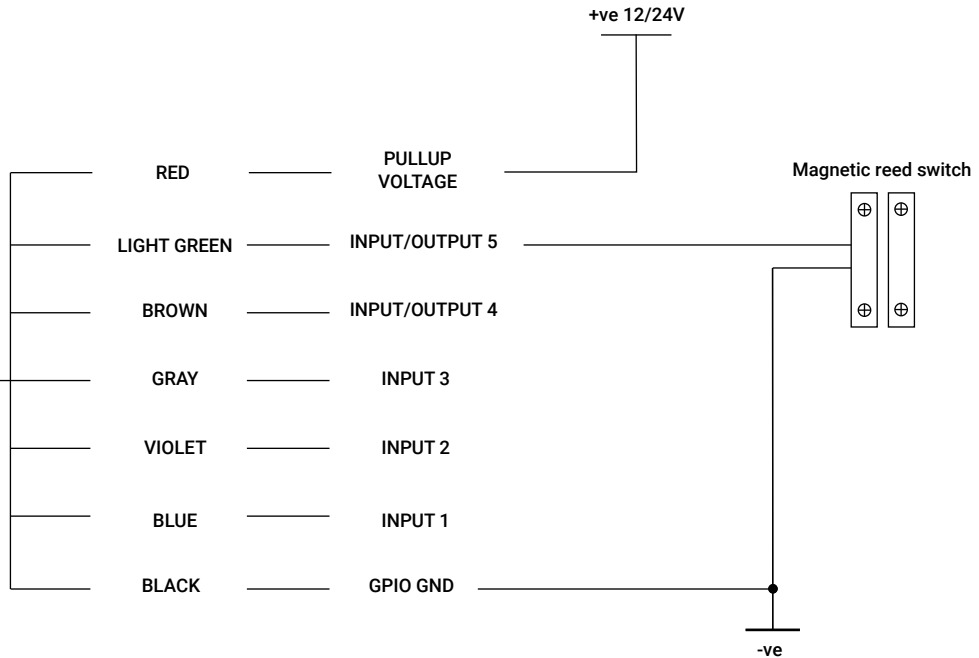
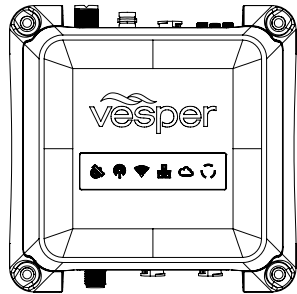
GPIO sensor configuration example

Sensor / control name	Engine room bilge
Sensor / control type	Bilge pump
Default input high	Pullup disabled
Active when high	Yes, normally closed



GPIO sensor wiring - Hatch / door open sensor

An external Pullup voltage connection is recommended when connecting GPIO sensors to the Cortex Hub. When a sensor does not provide more than 2V, the Pullup provides an appropriate high level reference for the Cortex Hub's input.

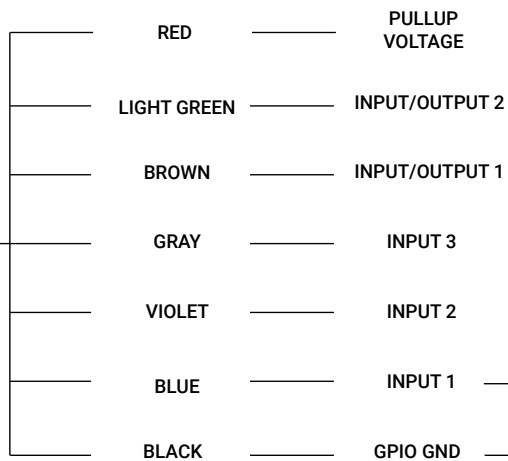
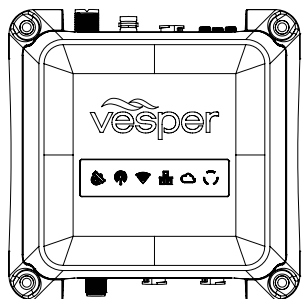


GPIO sensor configuration example

Sensor / control name	Forward Hatch 1
Sensor / control type	Security sensor
Default input high	Pullup enabled
Active when high	No, normally open

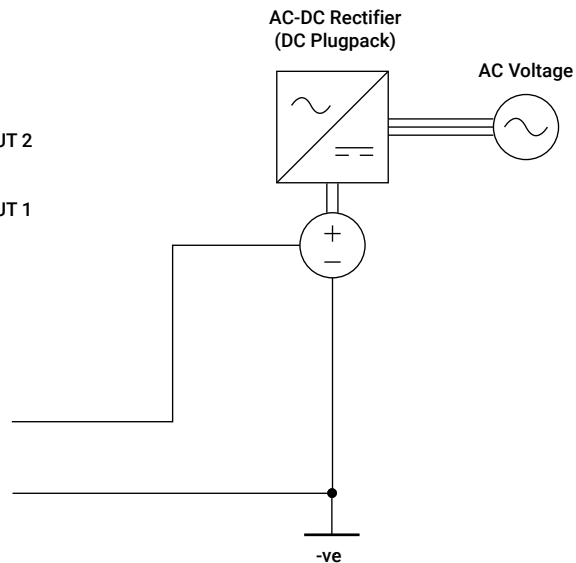
GPIO sensor wiring - Shore Power

Monitor a Shore Power connection by connected a DC voltage that is supplied from the AC system. This could be a simple DC mains plug, or a AC-DC Rectifier. If the AC supply disconnects, this will cause the DC voltage connected to Cortex to drop and generate an alarm.



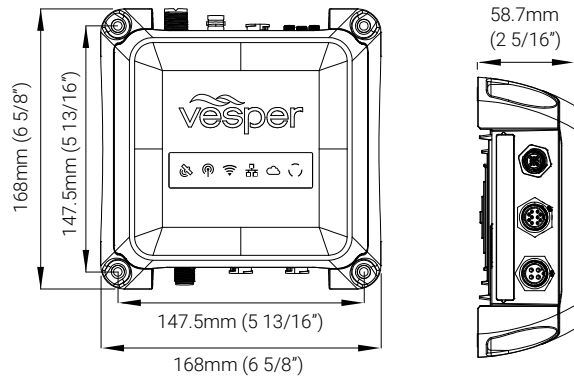
GPIO sensor configuration example

Sensor / control name	Shore Power
Sensor / control type	Shore Power
Default input high	Pullup disabled
Active when high	No

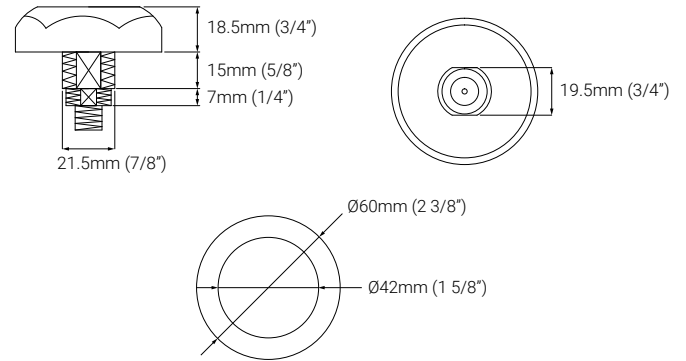


Dimensions

Cortex Hub

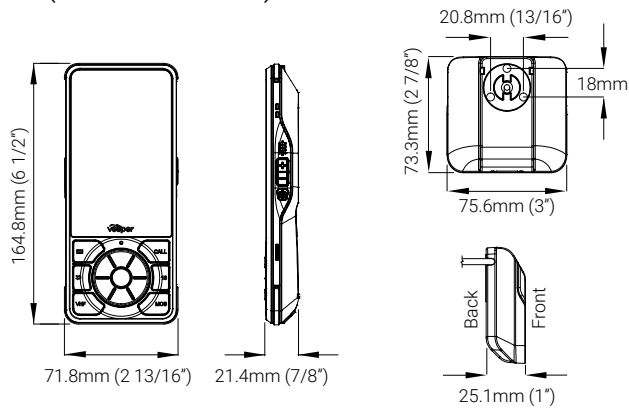


External GPS Antenna

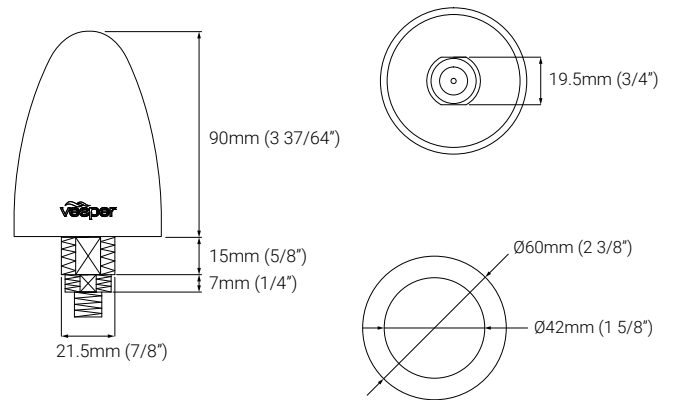


Handset (H1 & H1P)

Cradle (Powered & Non-Powered)



External Cellular Antenna



Specifications

CORTEX HUB GENERAL	
HUB SIZE	168 x 168 x 58.7mm (6 5/8" x 6 5/8" x 2 5/16")
POWER SUPPLY	9-33V. 12V: 6A max, 500mA nom
WEIGHT	770g (1.7lb)
ENVIRONMENTAL	Waterproof (IPx7)
OPERATING TEMPERATURE	-25°C to +55°C (-13°F to +131°F)
SUPPORTED PROTOCOLS	AIS Class B SOTDMA, VHF Voice, Class D DSC, ATIS (user configurable, EU region)
TRANSMITTER FREQUENCY ERROR	Less than 300Hz
ANT CONNECTOR	SO239
SPLITTER	Max input power 25W, Insertion Loss RX 0dB, TX < 2dB
SPLITTER CONNECTOR	BNC
SOTDMA CLASS B AIS	
DEDICATED RX CHANNELS	2
FREQUENCY RANGE	156.025 – 162.025 MHz
POWER OUTPUT	5W
AIS SENSITIVITY (20% PER)	-113 dBm
ADJACENT CHANNEL SELECTIVITY	80 dB
SPURIOUS RESPONSE	70 dB
INTER-MODULATION	67 dB

VHF VOICE

VHF FREQUENCY RANGE	
TX	156.025–161.600 MHz
RX	156.050–163.275 MHz
DEDICATED RX CHANNELS	3
POWER OUTPUT	25W, 1W (High, Low)
REGIONS	USA, CAN, INT
SENSITIVITY (12 DB SINAD)	-116 dBm
ADJACENT CHANNEL SELECTIVITY	80 dB
SPURIOUS RESPONSE	70 dB
INTERMODULATION	70 dB
SPURIOUS EMISSIONS	Less than -80 dBc (at 25 W)
MAX AUDIO OUTPUT POWER	10W, < 1% THD

CLASS D DSC

DEDICATED RX CHANNELS	1
SENSITIVITY (1% BER)	-115 dBm
ADJACENT CHANNEL SELECTIVITY	80 dB
SPURIOUS RESPONSE	70 dB
INTERMODULATION	70 dB

AUDIO

SUPPORTED FUNCTIONS	VHF RX, Alarms
AMPLIFIER	10W Class D, THD < 1%
SPEAKER	4 ohm

CORTEX HUB NETWORKING

NMEA 2000 GATEWAY	1 x Isolated Micro-C male port, AIS, GPS & MOB PGN output, Gateway Translations to/from NMEA 0183
NMEA 0183	1 x Isolated NMEA 0183 port, AIS & GPS sentences, Gateway Translations to/from NMEA 2000, 4800 / 38400 baud
WIRELESS	Access Point for up to 10 devices, 2.4GHz, 802.11b/g/n, Integrated Antenna, SMA-RP external antenna port (optional)
WIRELESS SECURITY	WPA2 Personal
CLOUD CONNECTIVITY	LTE-Cat1 with 3G fallback (USA, Canada), 3G (EU, Asia), Integrated SIM, Integrated Antenna, SMA-RP external antenna port.
CONTROL OUTPUTS	2 Outputs, Low side driven (max 150mA)

CORTEX HUB GNSS

SENSITIVITY	-167dBm
CONSTELLATIONS	GPS, GLONASS, Bei Dou, Galileo
CHANNELS	72
DIFFERENTIAL SUPPORT	SBAS, WAAS, EGNOS
NAVIGATION RATE	10Hz
CONNECTOR	SMA
CERTIFICATIONS	IEC 61108
FEATURES	Anti-jamming, Anti-spoofing

CORTEX HUB SENSORS

HEADING	Internal use only
BAROMETER	Update rate 1Hz max (averaged)
BATTERY VOLTAGE	Measured at power input
EXTERNAL SENSORS INPUTS	5 Inputs, Digital (0-24V), Analog (0-17V)


H1 AND H1P HANDSET SPECIFICATIONS


HANDSET SIZE	164.8 x 71.8 x 21.4mm (6 1/2" x 2 13/16" x 7/8")
POWER SUPPLY	12V, 1A max, 200mA nom 12/24V DC compatible
BATTERY	Lithium Polymer 2 hour full charge, >10 hours operation
WEIGHT	H1 285g (0.63lb), H1P 235g (0.52lb)
ENVIRONMENTAL	Waterproof (IPX8)
OPERATING TEMP	-25°C to +55°C (-13°F to +131°F)
AUDIO	3W Class D amplifier, THD < 5% @ 85dBA


H1 AND H1P HANDSET DISPLAY


SCREEN	LCD TFT Si, 640 x 800, 24bit color
TOUCH	Capacitive, optically bonded, LCD, glove and salt water operable
BACKLIGHT	600 cd/m2, Ambient Light sensor for auto dimming


Dimensions LED icon troubleshooting

	FUNCTION	COLOR	STATE	DESCRIPTION
	GPS	Orange	Solid	Acquiring a GPS fix.
	GPS	Green	Solid	Flashes green momentarily when a fix is acquired; returns to solid after a few seconds.
	GPS	Red	Solid	GPS Antenna short detected. It may also indicate a GPS system error, contact Vesper marine technical support if this state persists.

	FUNCTION	COLOR	STATE	DESCRIPTION
	VHF	Orange	Solid	Initializing Before the Cortex Hub can transmit it requires 1 minute to initialize.
				MMSI not programmed A valid MMSI must be programmed before you may transmit your position. (see To program your MMSI number section)
				Stealth mode Stealth mode is on.
				Last position report not sent This may happen from time to time in very busy areas with lots of AIS traffic. This is normal behaviour for a Class B AIS device.
	VHF	Orange	Flashing	UX VHF is transmitting.
	VHF	Green	Solid	Normal AIS + VHF Operation.
	VHF	Red	Solid	A VHF/DSC/AIS System Check has failed. Contact Vesper Marine technical support.
VHF	Red	Flashing	Antenna short circuit or open circuit detected - may also indicate a high VSWR.	

	FUNCTION	COLOR	STATE	DESCRIPTION
	WiFi	Orange	Solid	WiFi ready and waiting for connections.
	WiFi	Green	Solid	At least one device is attempting to join or has joined the network.
	WiFi	Red	Solid	WiFi not operational. Contact Vesper Marine technical support.

	FUNCTION	COLOR	STATE	DESCRIPTION
	NMEA 2000	Orange	Solid	NMEA 2000 bus network is not connected or not powered on.
	NMEA 2000	Green	Solid	NMEA bus connected and exchanging information with the Cortex Hub.
	NMEA 2000	Red	Solid	NMEA 2000 bus error detected. Check the integrity of the NMEA network cable and terminating resistors.

	FUNCTION	COLOR	STATE	DESCRIPTION
	Cloud	Orange	Solid	Attempting to connect or connected to a cellular network.
	Cloud	Orange	Flashing	Flashes when attempting to connect to the Vesper Cloud.
	Cloud	Green	Solid	Connected to the Vesper Cloud. Note - on the Lite plan it will only connect every 12 hours for 10 minutes.
Cloud	Red	Solid	An unexpected Vesper Cloud connection error has occurred. Contact Vesper Marine technical support if this state persists.	

Warnings

The Cortex AIS Transponder works in conjunction with other vessels and systems such as other AIS transponders and GPS devices. The accuracy of this device and the AIS system can be affected by many factors, including equipment failure or defects, environmental conditions and incorrect installation, handling or use. Vesper Marine does not warrant that this product is error-free. It is the user's responsibility to exercise common prudence and navigational judgement. This device should not be relied upon as a substitute for such prudence and judgement. Always maintain a permanent watch so that you can respond to situations as they develop. The prudent mariner will not rely on a single aid to navigation. The user should verify that the information obtained from this AIS Transponder is in accordance with expected situations and conditions. The information is not guaranteed to be accurate or reliable and this AIS Transponder is not a substitute for proper seamanship. Vesper Marine Limited cannot be held liable for any injury, damage or loss, caused by, during, or because of the installation, use or inability to use this device. This AIS Transponder is to be installed and used entirely at your own risk. By installing and/or using this AIS Transponder you fully accept this risk and agree to hold Vesper Marine Limited harmless. If you do not agree to accept all risk, return this product unused in its original factory condition to your dealer for a full refund.

Intended Use

This product is intended to be used on leisure or commercial vessels (excluding IMO/SOLAS class). Vesper Marine has designed and manufactured this product to be used only aboard vessels.

Warranty Void

Do not disassemble the unit or remove the screws which hold it together. The unit is sealed and disassembly will void the warranty.

FCC Warning

This device complies with Part 15 of the FCC Rules. Operation is subject to the following two conditions:

(1) this device may not cause harmful interference and (2) this device must accept any interference received, including interference that may cause undesired operation.

Radiation Warnings

Radio Frequency

To satisfy RF exposure requirements for mobile transmitting devices, a separation distance of 2 metre or more should be maintained between the antenna of this device and persons during device operation. To ensure compliance, operations at closer than this distance is not recommended.

The antenna used for this transmitter must not be co-located in conjunction with any other antenna or transmitter.

This device has been designed to operate with an antenna having a maximum gain of 3dBi. Antennas having a gain greater than 3dBi are strictly prohibited for use with this device. The required antenna impedance is 50 ohms.

To reduce potential radio interference to other users, the antenna type and its gain should be chosen that the equivalent isotropically radiated power (EIRP) is not more than that required for successful communication.

The system has a Maximum Permissible Exposure (MPE) radius of 2m from the antenna. This has been determined assuming the maximum power of the transmitter and using a standard half-wave monopole VHF antenna with a maximum gain of 3dBi and termination impedance of 50 ohms.

When installing the antenna and operating the equipment consider the following:

- The antenna should be mounted as high above deck as possible.
- Higher gain VHF antennas will require a larger MPE radius.
- Do not operate the unit when anyone is within the MPE radius of the antenna.
- The antenna should not be collocated or operated in conjunction with any other transmitting antenna.

Electromagnetic

This device generates and radiates electromagnetic energy. This device must be installed and operated according to the instructions contained in this manual. Failure to do so may result in product malfunction and / or exposure to potentially harmful levels of radio frequency radiation. Changes or modifications to the unit not expressly approved by Vesper Marine Ltd will void the user's authority to operate this equipment.

Heat

The bottom surfaces of the Cortex Hub may become hot to touch during long periods of VHF transmission.

Warnings

MMSI Programming Warning

IMPORTANT: In most countries the operation of a VHF unit may require the possession of a current VHF radiotelephone license which lists the AIS system and the vessel Call Sign and MMSI number.

An MMSI number is required in order for this device to operate DSC or as an AIS transmitter. Please contact the relevant authority in your country for more information.

For Customers in the USA

This device must be programmed with data corresponding to the vessel on which it will be installed. Programming must be carried out by a Vesper Marine dealer. The included instructions contain information on how to verify the correct programming.

WARNING: It is a violation of the rules of the Federal Communications Commission to input an MMSI that has not been properly assigned to the end user, or to otherwise input any inaccurate data in this device.

Industry Canada Warning

This device complies with Industry Canada license-exempt RSS standard(s). Operation is subject to the following two conditions: (1) this device may not cause interference, and (2) this device must accept any interference, including interference that may cause undesired operation of the device.

This device complies with RSS-310 of Industry Canada. Operation is subject to the condition that this device does not cause harmful interference.

EU Conformity

Vesper Marine declares that this product is in compliance with Directive 2014/53/EU.

The full text of the EU Declaration of Conformity is available at the following internet address: www.vespermarine.com/compliance

This product is for use worldwide, including the following countries:

AT	BE	BG	CH	CY	CZ	DE	DK	EE	ES
FI	FR	GR	HU	IE	IS	IT	LT	LU	LV
MT	NO	NL	PL	PT	RO	SE	SI	SK	UK

Privacy Policy

Vesper marine takes every effort to keep your private data safe and secure. For more information on our privacy commitment please visit: www.vespermarine.com/privacy

Warranty

Your Vesper Marine product is warranted, when properly installed and used, to be free from defects in materials or workmanship for two years from the date the product was purchased by the first retail customer. This warranty applies to the original retail purchaser only and is not transferable. This warranty only applies to products purchased from Vesper Marine or from an authorized Vesper Marine reseller. Within this period, Vesper Marine will, at its discretion, repair or replace any components which fail in normal use. Repairs or replacement will be made at no charge for parts or labor, provided that the customer shall be responsible for any transportation costs. This warranty does not cover failures due to abuse, misuse, accident, improper installation, unauthorized alterations or repairs, shipping damage, wear and tear, or corrosion.

This warranty does not cover defects or damage caused if the product's external housing has been opened, the serial number or other labels have been removed or altered, or the specified input voltage has been exceeded. This warranty does not cover defects or damage caused if the product has been operated with an incompatible GPS antenna or without a suitable VHF antenna, or with an incompatible antenna splitter, where applicable to the product.

Vesper Marine retains the exclusive right to repair or replace the unit at its sole discretion. In the event Vesper Marine chooses to replace the unit it may be replaced with a factory reconditioned unit or a new unit at its sole discretion. Where a replacement is provided the original product becomes the property of Vesper Marine and the warranty will remain from the original purchase date.

THE WARRANTIES AND REMEDIES CONTAINED HEREIN ARE EXCLUSIVE AND IN LIEU OF ALL OTHER WARRANTIES, WHETHER EXPRESS, IMPLIED OR STATUTORY, INCLUDING ANY LIABILITY ARISING UNDER ANY WARRANTY OF MERCHANTABILITY OR FITNESS FOR A PARTICULAR PURPOSE, STATUTORY OR OTHERWISE. THIS WARRANTY GIVES YOU SPECIFIC LEGAL RIGHTS, WHICH MAY VARY FROM STATE TO STATE.

IN NO EVENT SHALL VESPER MARINE BE LIABLE FOR ANY INCIDENTAL, SPECIAL, INDIRECT, OR CONSEQUENTIAL DAMAGES, WHETHER RESULTING FROM THE USE, MISUSE OR INABILITY TO USE THE PRODUCT OR FROM DEFECTS IN THE PRODUCT. SOME STATES DO NOT ALLOW THE EXCLUSION OF INCIDENTAL OR CONSEQUENTIAL DAMAGES, SO THE ABOVE LIMITATIONS MAY NOT APPLY TO YOU.

Vesper Marine retains the exclusive right to repair or replace the product or offer a full refund of the purchase price at its sole discretion. SUCH REMEDY SHALL BE YOUR SOLE AND EXCLUSIVE REMEDY.

*These warranty terms and conditions are provided as a summary and the specific terms and conditions of your warranty may vary by region. Please see www.vespermarine.com/warranty for details of the warranty terms and conditions specific to your region.

Copyright

© 2022 Garmin Ltd. or its subsidiaries

Vesper Marine, Vesper, Cortex, VHF Reimagined, WatchMate, AIS WatchMate, WatchMate Vision, deckWatch, smartAIS and Always On Always Visible Always Watching are trademarks or registered trademarks of Garmin Ltd. or its subsidiaries.

All other products are trademarks or registered trademarks of their respective owners.

Unless otherwise indicated, all documentation and operating software contained within this product or distributed with this product is copyrighted by Garmin Ltd. or its subsidiaries. All rights are reserved.

Portions of this product may use software licensed under open source license agreements. Source code for the applicable software is available upon request from Garmin Ltd. or its subsidiaries.

316-318 Richmond Road
Auckland, New Zealand.
Phone +64 9 950 4848

info@vespermarine.com

www.vespermarine.com



AT	BE	BG	CY	CZ	DE	DK	EE	ES	EL
FI	FR	HR	HU	IE	IT	LT	LU	LV	MT
NL	PL	PT	RO	SE	SI	SK	UK		



